

I moduli aumentano il numero e la portata di contatti in un circuito di comando FAIL SAVE
The modules will increase the number and capacity of contacts in a FAIL SAFE control circuit

Segnale di comando universale (24Vac/dc)
Universal drive signal (24Vac/dc)

Un modello con un contatto normalmente aperto e un contatto normalmente chiuso
A model with 1 normally open and 1 normally close contacts output

Un modello con 4 contatti normalmente aperti e 2 contatti normalmente chiusi
A model with 4 normally open and 2 normally close contacts output

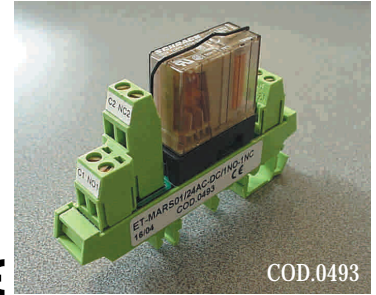
Connessioni di ingresso e di uscita: morsettiere a vite per conduttori diam. max 2,5mm²
Input and output connection: screw terminals for leads max diam. 2,5mm²

Led giallo: relè eccitato/canale e presenza alimentazione
Yellow led: relay ON/channel and supply ON

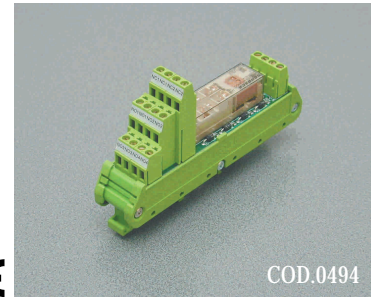
Circuito stampato doppio strato (approv. UR)
Dual layer PCB (UR approval)

Supporto in materiale autoestinguente UL 94-V0
UL 94-V0 self-extinguishing case

Esecuzione per aggancio su barra DIN EN50022 e EN50035
Execution for DIN EN50022 and EN50035 rail mounting



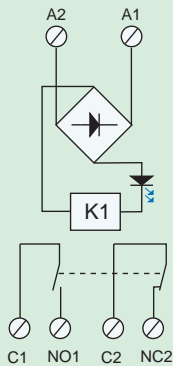
COD.0493



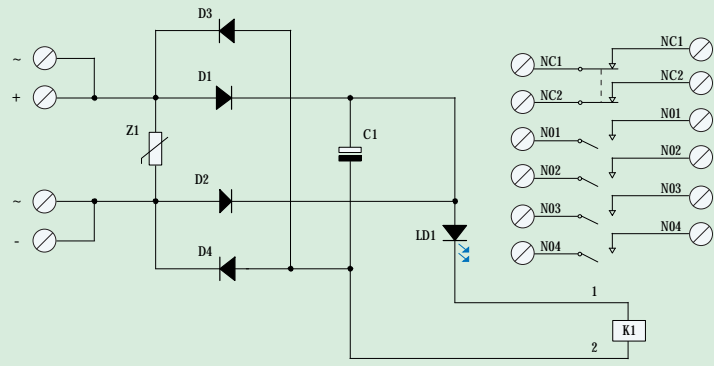
COD.0494

SCHEMI ELETTRICI - WIRING DIAGRAMS

ET-MARS01/24AC-DC/1NO-1NC 0493



ET-MARS01/24AC-DC/1NO-1NC 0494



CARATTERISTICHE RELE' - RELAY TECHNICAL DATA

		ET-MARS01/24AC-DC/1NO-1NC 0493	ET-MARS01/24AC-DC/1NO-1NC 0494
Contact data	Configuration	1 N/C and 1 N/O contact	2 N/C and 4 N/O contacts
	Contact set	single contact, forcibly guided	single contact, forcibly guided
	Rated current	6A	8A
	Rated voltage	250Vac	240Vac
	Max. switching voltage AC	440Vac	400Vac
	Maximum breaking capacity AC	1500VA	2000VA
	Contact material	AgNi	AgSnO ₂
	Minimum contact load	10mA / 5V	10mA / 5V
Coli data	Nominal voltage	24V	24V
	Nominal coil power	approx. 700mW	approx. 1200mW
Other data	Operative range	18~37.4Vdc @ 40°C	17.8~41.3Vdc @ 40°C
	Operate time	typ. 10mS	typ. 10mS
	Release time	typ. 4mS	typ. 4mS

COME ORDINARE - HOW TO ORDER

Sigla / Part Number	Codice Code	Comando Drive signal	Uscita Output	Descrizione / Description	Dimensioni Dimensions (mm)
ET-MARS01/24AC-DC/1NO-1NC	0493	24Vac-dc	1NA + 1NC 1NO + 1NC	Modulo ampliamento 1NO e 1NC, esecuzione aperta 1NO and 1NC enlargement module, open manufacture	L 23 x H 82 x D 60
ET-MARS01/24AC-DC/4NO-2NC	0494	24Vac-dc	4NA + 2NC 4NO + 2NC	Modulo ampliamento 4NO e 2NC, esecuzione aperta 4NO and 2NC enlargement module, open manufacture	L 23 x H 125 x D 78